

▶ 代理KODEN
KODEN PRODUCTS

鱼探CVS1410/CVS1410HS
Fish Finder CVS1410/CVS1410HS



10.4" 彩显LCD/10.4" inch ColorLcd

“数字眼” 效果相当于传统模拟数码3KW的鱼探

“Digital eye” Equal performance with traditional simulated 3 KW fish finder

(((DIGITAL)))



产品选型
PRODUCT CATALOGUE

规格/Specifications

型号Model	CVS-1410	CVS-1410HS
	Standard model	High Sensitivity model
输出功率Output power (RMS)	1 kW	
输出频率Output frequency	50 kHz and 200 kHz****	50 kHz and 200 kHz
输出方式Output method	Single or Alternate	
显示尺寸与类型Display size and type	10.4 inch color TFT LCD	
显示分辨率Display resolution	640 x 480 pixels (VGA)	
基本量程Basic range	2.5 to 2000 (m), 10 to 6000 (ft), 2.5 to 1100 (fm / l. fm) (8 ranges can be set to users choice)	
放大量程Zoom range	2.5 to 200 (m) 23 steps 10 to 650 (ft) 23 steps 2.5 to 150 (fm / l. fm) 23 steps	
量程单位Range unit	m, ft, fm, l. fm	
偏移间距Shift step	1m, 10m, 1/8, 1/4	
显示模式Presentation modes	High frequency, Low frequency, Dual frequency, Zoom image (Bottom lock, Bottom discrimination, Bottom zoom, Zoom, Bottom follow zoom), Nav mode, Vertical split, Horizontal split A-scope can be displayed at all above modes	
显示颜色Presentation colors	64 colors, 16 colors, 8 colors, Monochrome	
背景色Background color	Marine blue, Blue, Black, White, Nighttime color, Other 5 colors	
报警Alarms	Bottom, Fish, Temperature*, Speed**, Arrival***, XTE***	
图像速度Image Speed	9 steps & stop	
功能Functions	Interference rejection, Color rejection, Depth maker (VRM), Noise rejection, White line, Draft correct, Water temperature correct, Boat speed correct, Store image (10 images), Sona-Tone™ Fishing Hot Spot, Event memory, Simple plotter, Panel illumination, Power reduction, External trigger, Fish information, Detection area display	
自动功能Auto Function	Range, Shift, TVG	
语言Language	Chinese, English, French, Greek, Italian, Japanese, Korean, Spanish, Thai	
输入数据格式与文本Input data format and sentences	NMEA0183 Ver.1.5 / 2.0 / 3.0	
	GGA, GLL, HDT, MTW, MWV, RMC, VHW, VTG, ZDA	
输出数据格式与文本Output data format and sentences	NMEA0183 Ver.2.0 (DBT : Ver.1.5)	
	DBT, DPT, GGA, GLL, HDT, MTW, MWV, RMC, TLL, VHW, VTG, ZDA	
NMEA 数据点NMEA ports	1	
电源Power supply	10.8 to 31.2 VDC	
电源消耗Power consumption	30W or less (at 24VDC)	

环境Environmental

操作温度Operating temperature	-15°C to +55°C
水防护Water protection	IPX5

* 需要温度传感器数据 Requires data from Temp sensor

**需要速度传感器或者GPS传感器的速度数据 Requires speed data from Speed sensor or GPS sensor

***需要GPS传感器数据 Requires data from GPS sensor

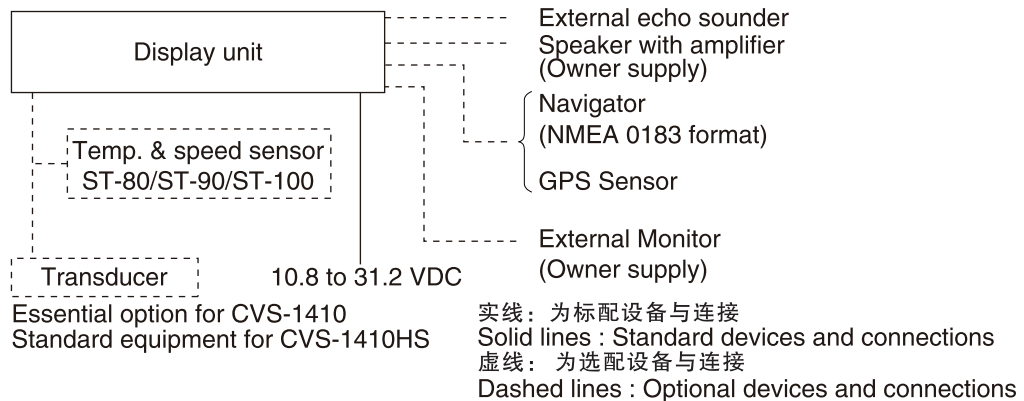
****也可使用安装了50kHz以及200kHz的单频率探头, 更多细节, 请联系附近的经销商。

Installed single frequency transducer of 50 and 200 kHz can be also used. For details, please contact your nearest distributor.

设备清单/Equipment list

标配 CVS-1410 Standard equipment	含外壳, 安装架的显示单元 Display unit with hard cover, Mounting bracket	1 set
	Dc电源电缆, 配件, 操作手册, 快速指南 DC power cable, Spare parts, Operation manual, Quick reference	1 set
(必要选配) Essential option	探头 Transducer	
选配 Options	温度以及速度传感器, 外部设备连接电缆, 内舱小配件 Temp. & speed sensor, Connection cables for external devices, Inner-hull kit	
标配 CVS-1410HS Standard equipment	含外壳, 安装架的显示单元 Display unit with hard cover, Mounting bracket	1 set
	Dc电源电缆, 配件, 操作手册, 快速指南 DC power cable, Spare parts, Operation manual, Quick reference	1 set
(必要选配) Essential option	探头 Transducer	
选配 Options	温度以及速度传感器, 外部设备连接电缆, 内舱小配件 Temp. & speed sensor, Connection cables for external devices, Inner-hull kit	

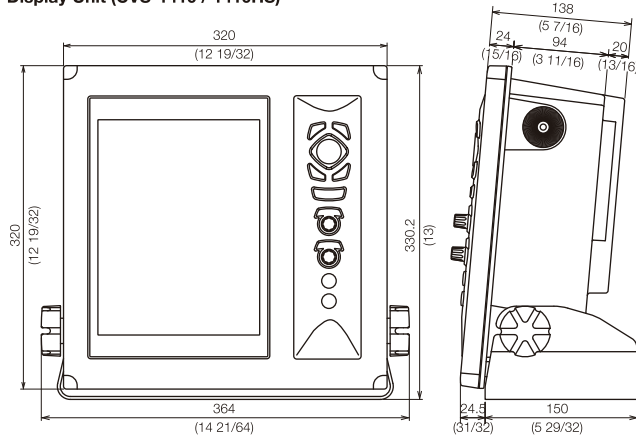
尺寸与重量/Dimension and weight



连接示意图/Connecting drawings

Unit: mm (inch)

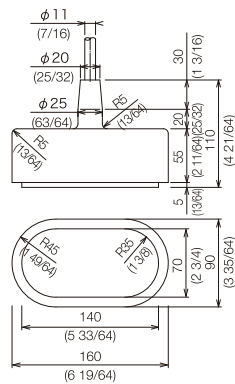
Display Unit (CVS-1410 / 1410HS)



Weight : 7.5kg (16.6lb)

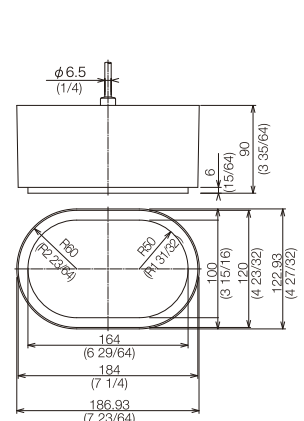
Transducer

CVS-1410 (Standard model)



Weight : 2.9kg (6.4lb)

CVS-1410HS (High Sensitivity model)



Weight : 3.7kg (8.2lb)

设计与规格改变恕不另行通知
Design and specifications are subject to change without notice.