

▶ 代理KODEN
KODEN PRODUCTS

船用雷达MDC2000MKII系列
Marine Radar MDC2000MKII series

MDC2041MKII MDC2040MKII MDC2060MKII

新12.1" 彩显LCD/New 12.1" Color LCD

大方而美观 Big and Beautiful



产品选型
PRODUCT CATALOGUE

规格/Specifications

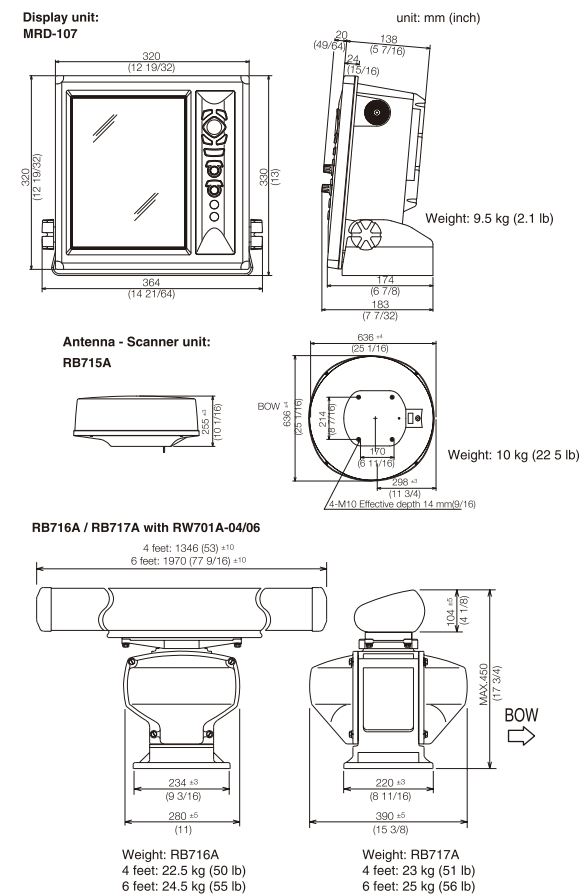
显示单元Display unit

型号Model	MDC-2041MkII	MDC-2040MkII	MDC-2060MkII
显示尺寸与类型Display size and type	12.1" color TFT LCD		
有效直径Effective diameter	183 mm		
显示分辨率Display resolution	768 x 1024 pixels (XGA)		
离心Off-centering	Max. 66%		
回波区域 Echo area	2 types (Full screen, Inside of effective diameter) (2种, 全屏或有效直径内)		
基本量程 Basic Range	0.0625 to 32 NM 0.0625 to 48 NM 0.0625 to 64 NM		
量程刻度Range scales	0.0625 0.125 0.25 0.5 1 1.5 2 3 4 6 8 12 16 24 32 48 64 72		
量程间距Range interval	0.03125 0.0625 0.125 0.25 0.5 1 2 3 4 6 8 12 16 18		
显示模式Presentation modes	船首向上 Head-up, 北向上 North-up, 航迹向上Course-up, WPT向上 WPT-up**		
指示系统Indication system	PPI, PPI/PPI, PPI/NAV		
视频水平Video level	8 levels (colors)		
量程单元 Range unit	NM, km, sm		
报警Alarm	Echo (IN / OUT), ATA (CPA / TCPA) etc.		
功能Functions	Interference rejection, Target expansion, VRM, EBL (true / relative), Parallel index, Cursor position (Lat/Lon)***, Bearing (true / relative), Trail**, RGB Monitor output, Slave display monitor input/output, External Buzzer output, Accepts CCD camera input, etc.		
输入数据文本与句式 Input data format and sentences	NMEA0183 Ver.1.5/2.0/3.0 BEC, BWC, BWR, DPT, DBT, GGA, GLL, GNS, HDG, HDM, HDT, MTW, MWD, MWV, RMA, RMB, RMC, VHW, VTG, XTE		
输出数据文本与句式 Output data format and sentences	NMEA0183 Ver.2.0 TTM, TLL		
NMEA输入输出NMEA input/output(s)	2 (input / output 2)		
AIS接口AIS interface	100 targets (Option)		
ATA	50 targets (Option)		
电源Power supply	10.8 to 31.2 VDC		
电源消耗Power consumption(at 24 VDC)	70 W or less	88 W or less	115 W or less

环境Environmental

操作温度 Operating temperature	-15°C to +55°C
水防护Water protection	IPX5

尺寸与重量/Dimension and weight



设计与规格改变恕不另行通知
Design and specifications are subject to change without notice.