

▶ 代理KODEN
KODEN PRODUCTS

船用雷达MDC900 系列
Marine Radar MDC900 Series



8.4” 彩显 LCD 船用雷达 /8.4-inch color LCD Marine Radar

8” 突破！

8” REVOLUTION！



产品选型
PRODUCT CATALOGUE

规格/Specifications

天线扫描单元Antenna-scanner unit

型号 Model	MDC-921	MDC-941	MDC-940
天线类型Antenna type	Radome		Open array
天线长度 Antenna length	1.2feet	2feet	3feet/4feet
输出功率(峰值)Output power (peak)	2KW	4KW	
输出频率Output frequency	9445MHz ± 30MHz	9410MHz ± 30MHz	
水平波束宽度Horizontal beam width	6.0°	3.9°	3feet: 2.5° 4feet: 1.8°
垂直波束宽度Vertical beam width	25°		22°
转速Rotation	24rpm	24 rpm or 48 rpm	24rpm or 48rpm(48rpm:24VDC or more)
中频中心频率IF center frequency	60MHz		
量程准确度 Range accuracy	better than 8m		
最小监测距离Minimum detecting distance	within 30m	within 25m	
量程分辨率Range resolution	within 30m	within 25m	
热启动时间Warm-up time	2 min		
脉冲宽度Pulse width	0.1 us, 0.15 us, 0.3 us, 0.5 us, 1 us		

环境Environmental

操作温度Operating temperature	-25°C to +55°C		
水防护Water protection	CFR-46	IPX6	IPX6

显示单元Display unit

型号Model	MDC-921	MDC-941	MDC-940
基本量程Basic range	0.0625 to 24 NM	0.0625 to 32 NM	0.0625 to 48 NM
显示单元Display unit	MRD-103		
显示尺寸与类型Display size and type	8.4" color TFT LCD		
有效直径Effective diameter	127.4 mm		
显示分辨率Display resolution	480 x 640 pixels		
离心Off-centering	Max. 66%		
回波区域Echo area	2 types (Full screen, Inside of effective diameter) (2种, 全屏或有效直径内)		
显示模式 Presentation modes	船首向上 Head-up, 北向上 North-up (True motion***/Relative motion*), 航迹向上 Course-up (True motion*** / Relative motion*), WPT向上 WPT-up **		
指示系统Indication system	PPI, PPI/PPI, PPI/NAV		
量程圈间隔Ring interval	0.03125(0.0625), 0.0625(0.125), 0.125(0.25,0.5), 0.25(0.75,1), 0.5(1.5,2), 0.75(3), 1(4),1.5(6), 2(8), 3(12), 4(16), 6(24), 8(32), 12(48) (): Range scales		
量程刻度Range scales	0.0625,0.125,0.25,0.5,0.75,1,1.5,2,3,4,6,8,12,16,24,32,48 nm (MDC-921 up to 24 nm, MDC-941 up to 32 nm, MDC-940 up to 48 nm)		
视频水平Video level	8 levels (colors)		
距离单位Distance unit	NM, sm, km		
报警Alarm	Echo (IN /OUT), ATA (CPA / CPT) etc.		
功能Functions	Interference rejection, Target expansion, VRM, EBL (true* / relative) , Parallel index, Cursor position (Lat / Lon)***, Bearing (true* / relative), Trail***, RGB Monitor output, Slave display monitor input/output, External buzzer output, Accepts CCD camera input		
输入输出数据文本Input/output data format	NMEA 0183 (Ver. 1.5 / 2.0 / 3.0) BEC, BWC, BWR, DPT, DBT, GGA, GLL, GNS, HDG, HDM, HDT, MTW, MWD, MWV, RMA, RMB, RMC, VHW, VTG, XTE		
输入数据文本语句Input data format and sentence	NMEA 0183 (Ver. 2.0) TTM, TLL		
NMEA输入/输出 NMEA input/output	2 (input / output 2)		
ATA***	Option (Auto/Manual 50 Targets)		
AIS接口AIS interface	Option (100 Targets)		
电源Power supply	10.8 to 31.2 VDC		
电源消耗Power consumption	45 W or less	55 W or less	70 W or less

环境Environmental

操作温度 Operating temperature	-15°C to +55°C
水防护 Water protection	IPX5

* 需要航向数据输入 Requires bearing data input.

** 需要路标点数据输入 Requires waypoint data input.

*** 需要航向, 航速, 经纬度数据输入 Requires bearing data, ship' s speed data and latitude/longitude data input.

设备清单/ Equipment list

标配 Standard equipment

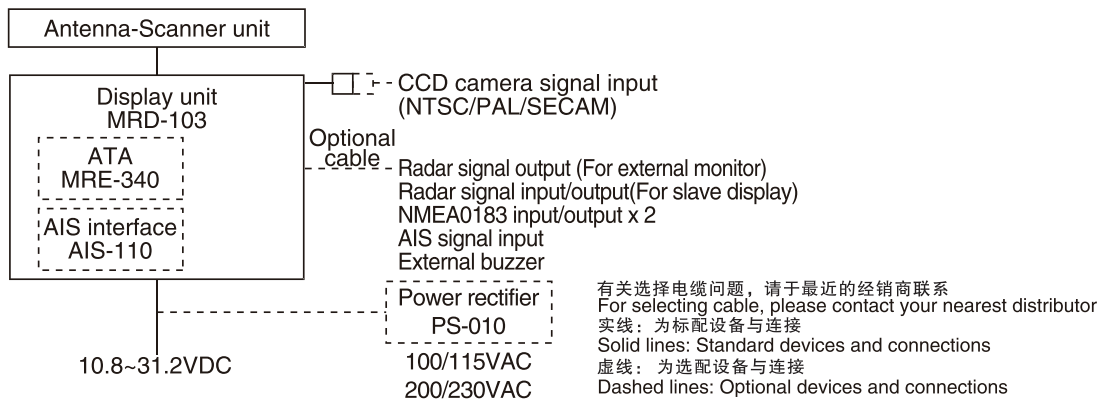
天线扫描单元 Antenna-scanner unit	RB714A	1.2 feet 2 kW MDC-921
	RB715A	2 feet 4 kW MDC-941
	扫描单元Scanner unit	RB716A 4 kW MDC-940
	天线单元Antenna unit	RW701A-03 3 feet MDC-940
	RW701A-04	4 feet MDC-940
显示单元 Display unit	MRD-103	with hard cover
连接电缆 Connecting cable	242J160680A-10M	With two connectors, MDC-921
	242J158055A-10M	With two connectors, MDC-941
	242J159098A-10M	With two connectors, MDC-940
DC 电源电缆 DC power cable	CW-265-2M	2 m
CCD摄像头电缆 CCD camera cable	CW-405-0.3M	

操作手册Operation manual 快速指南Quick Reference 熔断器 Fuse (8A)

选配 Option

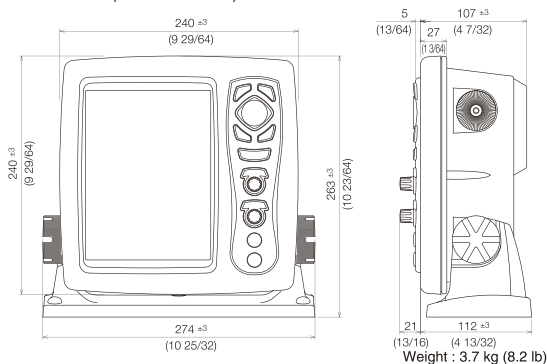
ATA ,AIS interface AIS 接口, Gyro /Log interface 罗经/计程仪接口, Power rectifier 电源整流器, AC power cable AC电源电缆
connecting cable for external monitor/external buzzer 外部显示器/蜂鸣器连接电缆

连接示意图/Connecting drawings

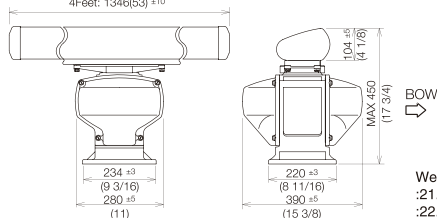


尺寸与重量/Dimension and weight

Display unit: mm (inch)
MRD-103(MDC-900 series)



RB716A with RW701A-03/04
3Feet: 1034(40 11/16) ±0.5
4Feet: 1346(53) ±1.0



Antenna - scanner unit:
RB714A

