

▶ 代理KODEN  
KODEN PRODUCTS

A级AIS收发器 KAT-100  
Class A AIS Transceiver KAT-100



4英尺单色LCD/4-inch monochrome LCD  
自动识别系统/Automatic Identification System



产品选型  
PRODUCT CATALOGUE

特点/Features

- ▶ 符合IMO标准MSC74.(69)附件4, 欧洲MED标准/Meets IMO standard MSC.74(69) Annex 4, EU Marine Equipment Directive(MED)
- ▶ 符合FCC, USCG, IC,TC,CCNG(内陆AIS)/Meets FCC,USCG,IC,TC,CCNR(inland AIS)
- ▶ 内置16信道GPS接收器, 含天线/Built in 16 channel GPS receiver with antenna
- ▶ 单元内储存的重要信息进行密码保护/Password protection for important information stored in she unit
- ▶ 为安全航行提供及时AIS信息/Provides real-time AIS information for safety navigation
- ▶ 高精度度与可靠度/High accuracy and reliability
- ▶ 简单易行的安装/Simple and easy installation

 **规格/Specifications**

类型Type	KAT-100
输出功率Output power	1 W or 12.5 W (automatic selection)
显示尺寸与类型Display size and type	4 inch, monochrome LCD
显示分辨率Display resolution	248 x 128 pixels
收发频率TX/RX frequency	156.025 MHz to 162.025 MHz
阻抗Impedance	50Ω
接收器DSC Receiver DSC	156.525MHz(CH70), 1200bps
信道带宽Channel bandwidth	25 kHz
显示模式Presentation modes	Target list, Own vessel & voyage data, Own dynamic data, Received messages, Alarms, Target plot
报警Alarms	Transmitter malfunction, Antenna VSWR limit, Receiver malfunction, External EFPS lost, No sensor position in use, No valid COG, No valid SOG, Heading lost or invalid, No valid ROT
语言Language	Dutch, English, French, German
输入数据格式与文本Input data format and sentences	IEC61162-1/2 ABM, ACA, ACK, AIR, BBM, DTM, GBS, GGA, GLL, GNS, HDT, LRF, LRI, RMC, ROT, SSD, VBW, VSD, VTG
输出数据格式与文本Output data format and sentences	IEC6162-1/2 ABK, ACA, ALR, LR1, LR2, LR3, LRF, LRI, TXT, VDM, VDO
NMEA 数据点NMEA ports	Sensor data input ports (input) IEC61162-1/2 3 ports 4800 or 38400 baud Bidirectional data ports (input / output) IEC61162-1/2 3 ports 4800 or 38400 baud
电源Power supply	10.8 to 31.2 VDC
电源消耗Power consumption	12 W typical, 4.0 A peak at 12 VDC

**GPS 单元GPS unit**

类型Type	MA-700
接收信道Receiving channel	16 channels
频率Frequency	1575.42MHz, L1 band
灵敏度Sensitivity	Acquisition -138dBm, Tracking -146dBm
定位系统Positioning Fixing System	GPS
定位时间 (冷启动) Time to position fix ( cold start )	Typically 36 seconds
精确度Accuracy	GPS 2.5m CEP / 5.0m SEP DGPS 2.0m CEP / 3.0m SEP
差分GPS Differential GPS	RTCM SC-104, AIS message #17

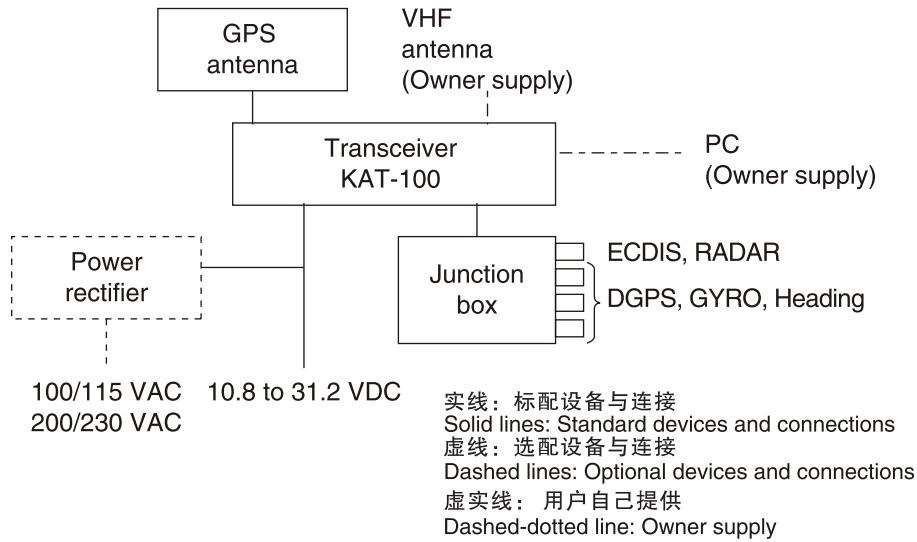
**环境Environmental**

操作温度Operating temperature	显示单元Display unit	-15°C to +55°C
	GPS 天线 GPS antenna	-30°C to +80°C
水防护 Water protection	显示单元Display unit	IP52
	GPS 天线 GPS antenna	IEC60945 Exposed category

 **设备清单/Equipment list**

标配 Standard Equipments	含耳轴框架的收发器 Transceiver with trunnion bracket
	接线盒 Junction box
	GPS天线 GPS antenna
	DC电缆, 数据电缆, 安装配件, DC power cable, Data cable, Mounting accessories, 操作手册, 安装指南, Operation manual, Quick operation guide, 快速指南, 支持工具 CD Quick installation guide, Support tools CD
选配 Options	电源整流器 AC 电缆 Power rectifier, AC power cable

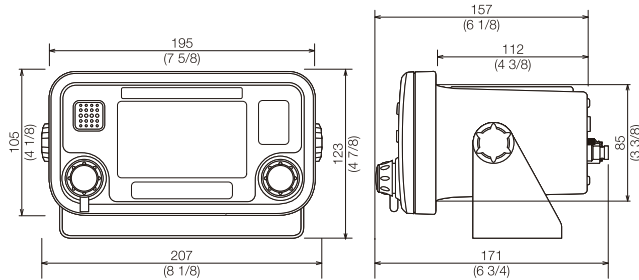
连接示意图/Connecting drawings



尺寸与重量/Dimension and weight

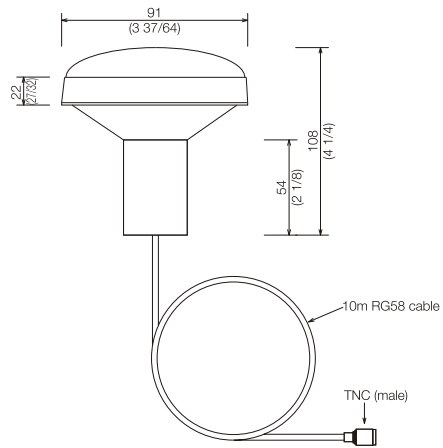
AIS 收发器 / AIS transceiver  
KAT-100

Unit: mm (inch)



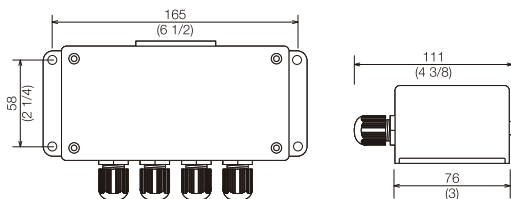
Weight : 1.7kg (3.7 lb)

GPS antenna  
MA-700



Weight : 0.5kg (1.2 lb)

接线盒 / Junction box  
JB-16



Weight : 0.35kg (0.78 lb)