

▶ 代理KODEN
KODEN PRODUCTS

GPS导航仪KGP920
GPS Navigator KGP920



完全符合IMO规范

Fully compliant with New IMO requirements



产品选型
PRODUCT CATALOGUE

特点/FEATURES

- ▶ 符合新IMO规范/Compliant with New IMO
- ▶ 符合新IMO要求MSC.112(73)以及SOLAS装载要求IEC61108-E1d .2 for SOLAS Meeting with New IMO requirements MSC.112(73)and IEC61108-1Ed.2 for SOLAS carriage requirements. Approved for U.S Coast Guard Module B.
- ▶ AIS的GNSS传感器/GNSS sensor of AIS
- ▶ GPS导航仪KGP920可用作AIS的GNSS传感器/The KGP -920 GPS Navigator can be used as a GNSS sensor of AIS.
- ▶ 含有SBAS/SBAS available
全面实行卫星基站定位纠正系统。在各地的各系统称谓USA的WAAS,EU的EGNOS以及亚洲的MSAS。
The satellite based positioning correction system fully operated. The systems called WAAS(USA), EGNOS(EU) and MSAS (ASIA).
- ▶ 快速定位/Quick positioning
真正的并行18信道GPS接收器在任何时候都提供准确快速定位
The true parallel 18 channel GPS receiver provides precise and quick positioning at any time.
- ▶ 可选新标DGPS/Optional Beacon DGPS
选配内置信标接收器，可用作高精度差分GPS导航仪
The built-in beacon receiver is available as an option. It can be used as a high-accuracy differential GPS navigator.

规格/Specifications

GPS接收器 GPS receiver

接收频率Receiving frequency	1575.42 MHz
接收信道Receiving channel	18 channel parallel
接收编码Receiving code	C / A code
灵敏度Sensitivity	Better than -130 dBm (elevation angle: 5° or over)
精确度Accuracy 位置Position	10 m 2drms (GPS), 5 m 2drms (DGPS), 8 m 2drms (SBAS)
(HDOP≤4)	SOG 0.1 kt rms
	COG ±3° (SOG 1-17 kt), ±1° (SOG >17 kt)

注意：精确度符合DoD民用GPS用户政策的改变 Note: Accuracy is subject to change in accordance with DoD civil GPS user policy.

显示部分 Display section

显示屏Display	LCD with backlight (128 x 64 dots, effective picture area: 85.71 x 54.35 mm)
显示模式Display mode	Standard text (NAV1), Navigation graph (NAV2), 3-D Highway (NAV3), Simple plotter (PLOT), MOB (Man Over Board)
位置数据显示Position data display	Latitude / longitude in increments of 0.0001 minute, converted Loran C LOPs, converted Loran A LOPs, converted Decca LOPs
及时记忆 (事件标志) Instant (Event) memory	200 points
路标点记忆Waypoint memory	200 points
路径记忆Route memory	20 routes (Max. 400 waypoints) reverse trail possible
报警Alarm	Proximity, Cross track error, CDI, Anchor watch
位置补偿Position compensation	Latitude / longitude, LOPs, Datum
磁性补偿Magnetic compensation	Auto or manual
电源Power supply	10.8 to 31.2 VDC
电源消耗Power consumption	4.5 W or less (at 24 VDC)

环境Environment

操作温度Operating temperature	Display unit: -15° to +55° Antenna unit: -25° to +55°
防水等级Waterproofing 显示单元display unit	Display unit: IPX4
天线单元antenna unit	Antenna unit: IPX6

数据输入/输出Data input / output

输出数据文本Output data format (DATA connector 数据接口)	IEC 61162-1 / NMEA 0183 Ver.1.5 (NMEA1, 2) / CIF / SHIPMATE (AAM, APB, BOD, BWC, DCN, DTM, GBS, GGA, GLC, GLL, GNS, GSA, GSV, MSS, RMB, RMC, Rnn, RTE, SGR, VTG, WDC, WPL, XTE, ZDA)
输出数据文本Output data format (DATA2 connector 数据接口)	IEC 61162-1 (AAM, APB, BOD, BWC, DCN, DTM, GBS, GGA, GLC, GLL, GNS, GSA, GSV, MSS, RMB, RMC, Rnn, RTE, SGR, VTG, WDC, WPL, XTE, ZDA)
输入数据文本Input data format	RTCM SC104 Ver.2.0 (DGPS)

设备清单/Equipment list

标配 (KGP-920) Standard equipment (KGP-920)

显示单元 Display unit	KGP-920	含信标接收器, 安装架以及乙烯基外壳 With beacon receiver, mounting bracket and vinyl cover	1
GPS标配天线 GPS antenna as standard	GA-08L	含15米天线电缆以及BNC接口 With 15 m antenna cable and BNC connector	1
其他天线选择 Other antenna selection	GA-08	含10米天线电缆及BNC接口 With 10 m antenna cable and BNC connector	
	GA-08S	含0.5米天线电缆, 可延长至30-60m以及N-P接口 With 0.5 m antenna cable for cable extension 30 m / 60 m and N-P connector	
Dc电源电缆, 备品配件, 安装材料, 操作手册 DC power cable, Spare parts, Installation material, Operation manual			

标配 (KGP-920WBR 含信标接收器) Standard Equipment(KGP-920 with beacon receiver)

显示单元 Display unit	KGP-920	含信标接收器, 安装架以及乙烯基外壳 With beacon receiver, mounting bracket and vinyl cover	1
GPS标配天线 GPS antenna as standard	GA-08L	含15米天线电缆以及BNC接口 With 15 m antenna cable and BNC connector	1
其他天线选择 Other antenna selection	GA-08	含10米天线电缆及BNC接口 With 10 m antenna cable and BNC connector	
	GA-08S	含0.5米天线电缆, 可延长至30-60m以及N-P接口 With 0.5 m antenna cable for cable extension 30 m / 60 m and N-P connector	
电场类型信标天线耦合器 Electric field type beacon antenna coupler	BA-02L-K	含15米天线电缆以及BNC接口 With 15 m antenna cable and BNC connector	1
Dc电源电缆, 备品配件, 安装材料, 操作手册 DC power cable, Spare parts, Installation material, Operation manual			

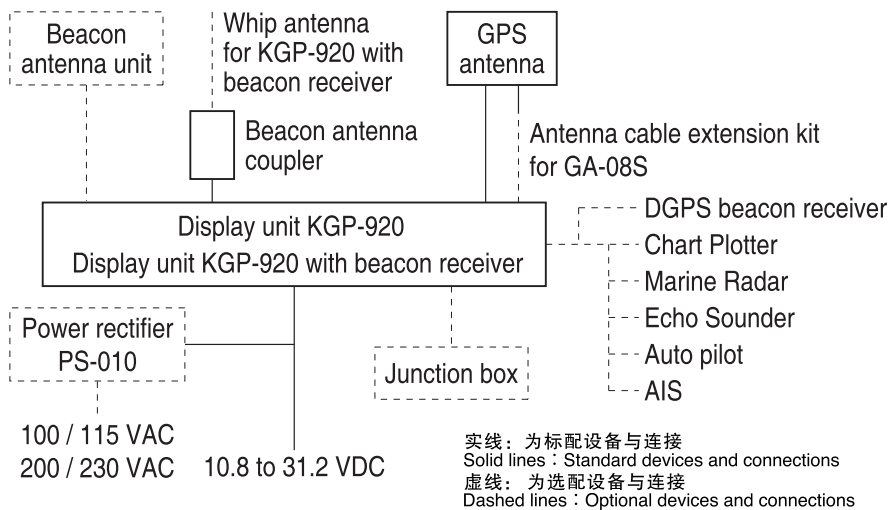
选配 (KGP920) Option(KGP-920)

连接电缆, 平镶安装套件, 天线电缆延伸套件30/60m, N/BNC转换器接口电缆, 电源整流器, AC电缆线, 连接盒
Connecting cable, Flush mount kit, Antenna cable extension kit 30 m / 60 m, N / BNC convertor connector cable, Power rectifier, AC power cable, Junction box

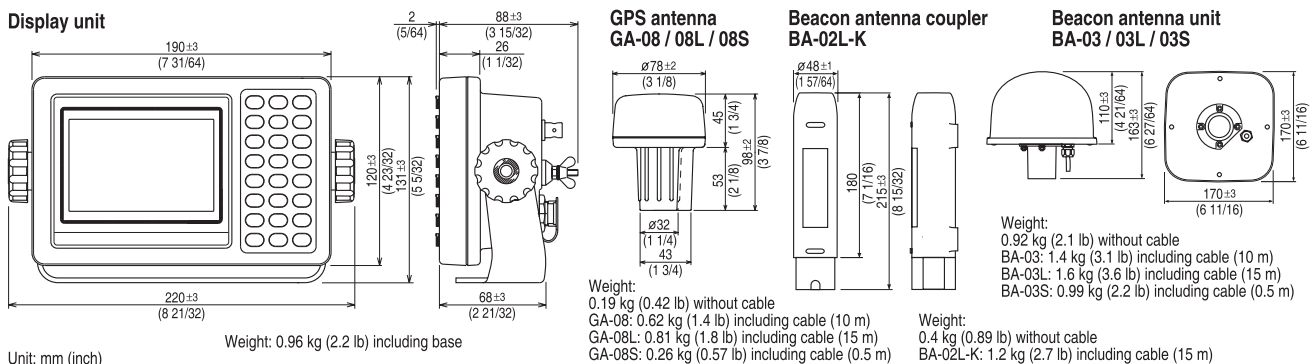
选配 (KGP920WBR) Option(KGP-920with beacon receiver)

连接电缆, 平镶安装套件, 天线电缆延伸套件30/60m, N/BNC转换器接口电缆, 电源整流器, AC电缆线, 连接盒, 鞭状天线 RA-14A, 磁场类型信标天线单元 BA-03L(含15米电缆), BA-03 (含10米电缆), BA-03S (含0.5米电缆)
Connecting cable Flush mount kit Antenna cable extension kit 30 m / 60 m N / BNC convertor connector cable, Power rectifier, AC power cable, Junction box Whip antenna RA-14A, Magnetic field type beacon antenna unit BA-03L with 15 m cable / BA-03 with 10 m cable / BA-03S with 0.5 m cable

连接示意图/Connecting drawings



尺寸与重量/Dimension and weight



设计与规格改变恕不另行通知
Design and specifications are subject to change without notice.